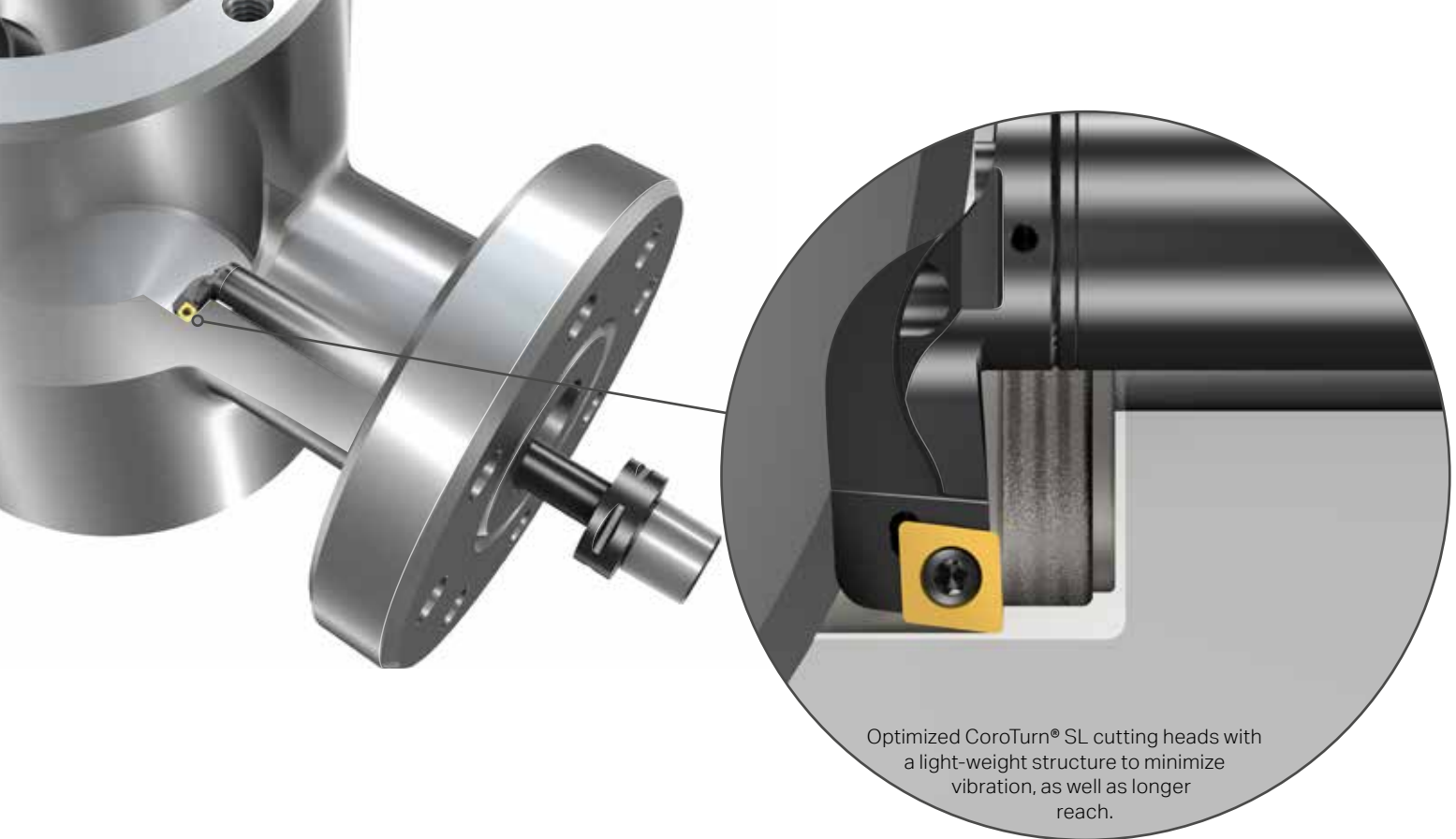


Valve seat pocket

Component solutions
Oil and gas



Optimized CoroTurn® SL cutting heads with a light-weight structure to minimize vibration, as well as longer reach.

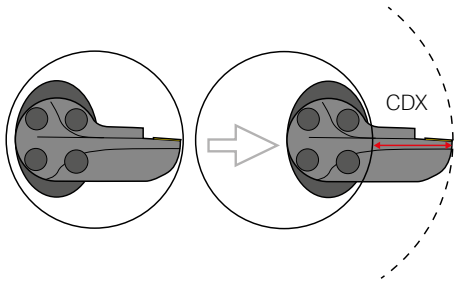
Making it possible

There is no doubt that the valve seat pocket is a challenging feature to machine. Challenges such as a narrow flow bore diameter, vibration tendencies and long overhangs encouraged us to develop a tool with stretched radial reach that could really do the job right. With elliptical Silent Tools™ adaptors designed for reaching deep seats combined with CoroTurn® SL cutting heads with a light-weight structure, you have a stable tooling solution for machining of features like the valve seat pocket.

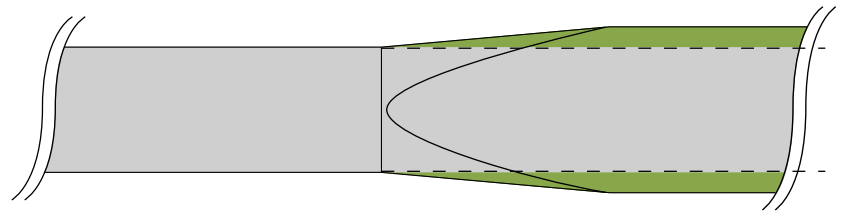
Keeping your green light on

With optimized CoroTurn® SL cutting heads you will be able to machine the exact spot you want to reach thanks to the stretched radial length. The CoroTurn® SL modular system enables quick and easy changes of the cutting heads, making sure your green light is on.





The elliptical shape of the adaptors is optimized for reaching the seat pocket feature. The optimized cutting heads gives you the capacity to reach maximum cutting depth (CDX).



This adaptor has been optimized for increased machining stability with an elliptical shape and a thicker base at the back end.



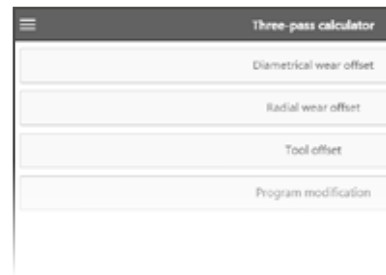
Tips!

Coromant Capto® tool holders give a highly stable and accurate machining process.



Calculated success

Reach your required tolerances with accuracy by utilizing the Sandvik Coromant three-pass calculator. Enter your measurements and you are on your way to calculated success!



Find more information about our adaptors with vibration dampening qualities at

www.sandvik.coromant.com/silenttools



Standards and customized solutions

These elliptical adaptors are part of the Silent Tools™ standard assortment covering a wide range of solutions. This means you get them within 24h delivery time. If you need a tool outside that range, do not hesitate to contact your local representative for a customized solution, tailored to your needs.



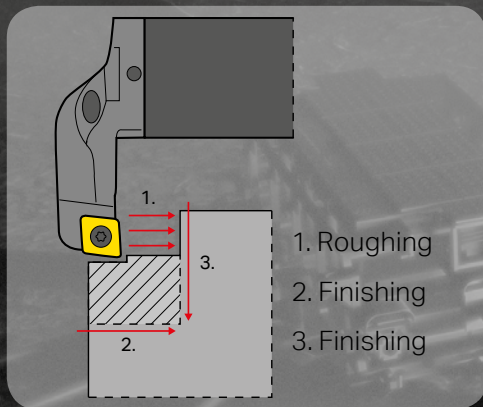
Performance in cladded Inconel 625

Method: Turning operation

Back turning, CoroTurn® SL cutting heads 25 mm

Elliptical Silent Tools™ adaptor with Coromant Capto® C6

Parameters	CCMT09T308-MM 2025	CCGX 09T304-AL 1105	CCGX 09T304-AL 1105
	Roughing	Finishing	Finishing
v_c	21 m/min (70 ft/min)	27 m/min (90 ft/min)	27 m/min (90 ft/min)
f_n	0.2 mm/rev (0.008 in/rev)	0.06 mm/rev (0.0025 in/rev)	0.02 mm/rev (0.0008 in/rev)
a_p	1.5 mm (0.06 inch)	0.1 mm (0.004 inch)	0.1 mm (0.004 inch)
	-	Surface finish	Surface finish
		Ra 0.5 (<22 cla)	Ra 0.2 (9 cla)



Superior surface finish is no longer wishful thinking, it's a fact!

Head office:
AB Sandvik Coromant
SE-811 81 Sandviken, Sweden
E-mail: info.coromant@sandvik.com
www.sandvik.coromant.com

C-1040:134 en-GB © AB Sandvik Coromant 2016

SANDVIK
Coromant